

FLUA®



GLORY TRACK S



This series has minimalist appearance. It can deeply prevent glare. Three installation modes, multiple emitting angle, a variety of accessories(stripe glass, mat glass, cellular network, antiglare frame, oblique mouth antiglare tube, and directional light shading film) are optional, which meets different needs such as clothing stores, exhibition halls and other places.

Designer	YIN QUAN LI
Sales status	On Sale
Product classification	Interior
Model	515315A

WWW.FLUA.COM

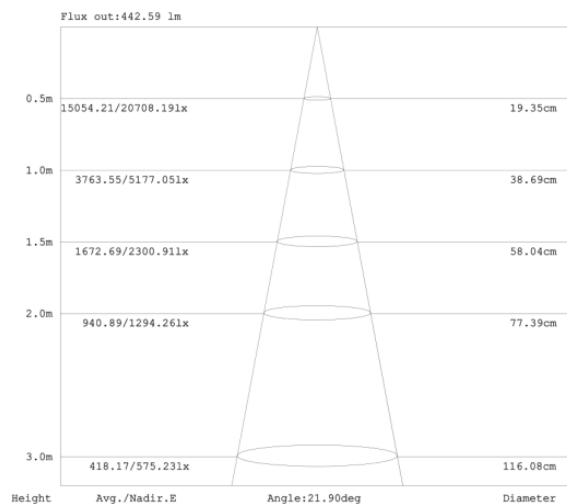
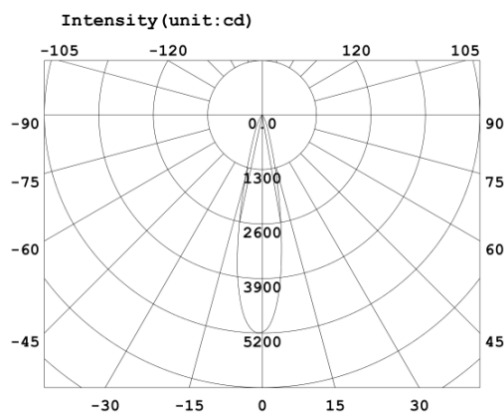
Installation information

Area	Ceiling
Method	Track
Cut hole size	/
Embedded height	/

Technical general

System power	19.1W	
Flux	990LM	
Beam angle	24°	
Material	Aluminum	
Appearance color	PAW	
Size	Φ 96*235mm	
Adjustable angle	Available	
Ingress protection	IP20	
Input voltage	220-240VAC	50/60Hz
Electrical level	Class I	

Photometric graph



Electrical parameters

Driver brand	FLUA
Driver type	FLUA018H0600NCMA
Electrical installation	Build in

Light source parameters

Brand	LUMINUS
Type	CHM-6
Power	16.2W
Light color	WW
Color temperature	3000K
CRI	90

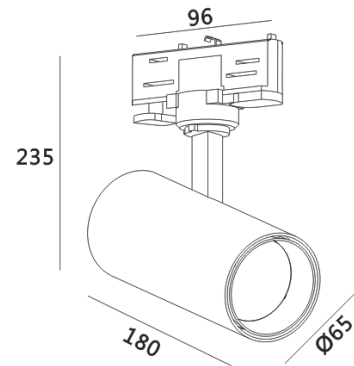
Other options

Beam angle	12°
Color temperature	2700K 3500K 4000K 5000K
Color	/
Appearance color	PAB

3D module



Line drawing



Unit: mm

Instructions

