

FLUA®



FAVOR INS R TRIMLES



The series designed with a vertical and hidden deep light source. It's light hole is small. It can provide sufficient brightness, at the same time, it is good to prevent the direct light of your eyes. Complete range of products offer a variety of installation, different power wattages and appearance for options.

Designer	RUAN XIAO MING
Sales status	On Sale
Product classification	Interior
Model	178312EA

WWW.FLUA.COM

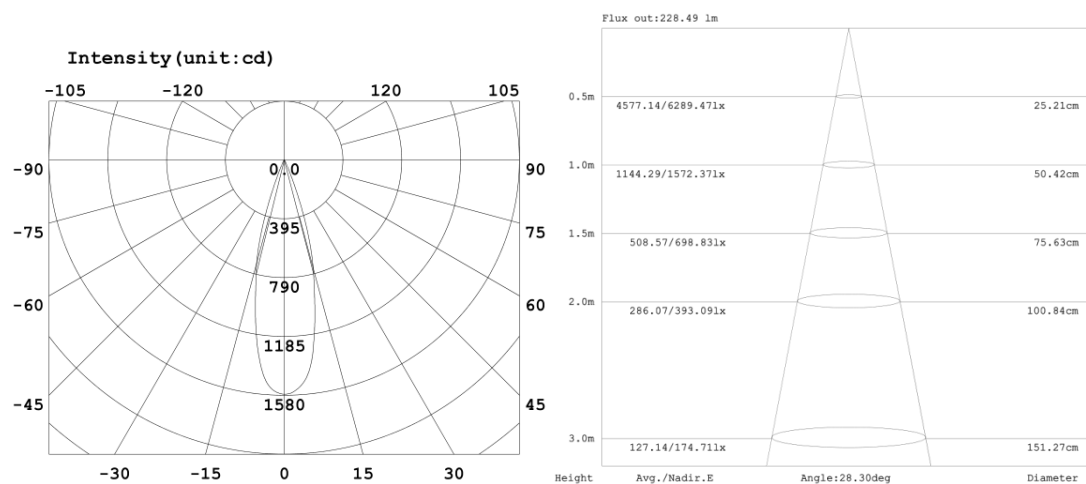
Installation information

Area	Ceiling
Method	Recessed
Cut hole size	Φ100mm
Embedded height	/

Technical general

System power	11.4W	
Flux	388lm	
Beam angle	28°	
Material	Aluminum	
Appearance color	PAW	
Size	140*90*110mm	
Adjustable angle	Available	
Ingress protection	IP20	
Input voltage	220-240VAC	50/60Hz
Electrical level	Class II	

Photometric graph



Electrical parameters

Driver brand	FLUA
Driver type	FLUA012H500NCMA
Electrical installation	External

Light source parameters

Brand	LEDTEEN
Type	LT-A3009A
Power	9.5W
Light color	WW
Color temperature	3000K
CRI	90

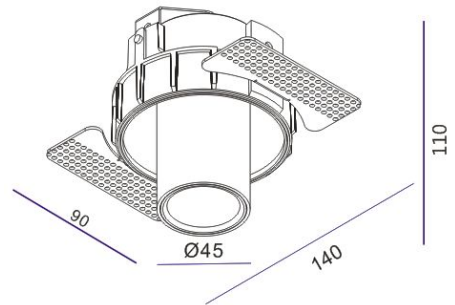
Other options

Beam angle	19°
Color temperature	2700K 4000K 5000K 6500K
Color	/
Appearance color	WBL / WCF/WWH
Dimming model	178312EDT
Dimming mode	TRIAC dimming
Driver brand	HEP
Driver type	LMTC10W500-Z
Input voltage	220-240VAC 50/60Hz

3D module



Line drawing



Unit: mm

Instructions

